

New Crafter Specifications.

Crafter Cab Chassis 50 | 55. MY2018.



Commercial
Vehicles

Model – Single Cab	Code	Crafter 50 90kw MWB	Crafter 50 90kw LWB	Crafter 50 90kw ELWB	Crafter 50 130kw MWB	Crafter 50 130kw LWB	Crafter 50 130kw ELWB
RRP 6-Speed Manual		\$67,490 SZBD3C	\$69,490 SZCD3C	\$71,690 SZDD3C	\$72,990 SZBD8C	\$74,990 SZCD8C	\$77,190 SZDD8C
RRP 8-Speed Automatic					\$76,990 SZBD8D	\$78,990 SZCD8D	\$81,190 SZDD8D
Double Cab	DC	\$5,500	\$5,500	\$5,500	\$5,500	\$5,500	\$5,500
GVM Increase 5,500kg → Crafter 55 (increase payload by approx. 500kg)		\$5,000	\$5,000	\$5,000	\$5,000	\$5,000	\$5,000
Technical Data							
Power (kW) @ rpm		90 @ 3,500	90 @ 3,500	90 @ 3,500	130 @ 3,600	130 @ 3,600	130 @ 3,600
Torque (Nm) @ rpm		300 @ 1,400 - 2,250	300 @ 1,400 - 2,250	300 @ 1,400 - 2,250	410 @ 1,500 - 2,000	410 @ 1,500 - 2,000	410 @ 1,500 - 2,000
Engine Displacement		1,968cc	1,968cc	1,968cc	1,968cc	1,968cc	1,968cc
Cylinders		Four	Four	Four	Four	Four	Four
Fuel Type		Diesel	Diesel	Diesel	Diesel	Diesel	Diesel
Fuel Injection system – Common rail direct injection		•	•	•	•	•	•
Induction system		Twin Turbo	Twin Turbo	Twin Turbo	Twin Turbo	Twin Turbo	Twin Turbo
Fuel tank volume in L / Ad Blue tank in L	OMO	75L / 18L	75L / 18L	75L / 18L	75L / 18L	75L / 18L	75L / 18L
Emission Standard		EU VI	EU VI	EU VI	EU VI	EU VI	EU VI
Ad Blue and Start Stop System		•	•	•	•	•	•
Alternator, max charging current (A)	8GV	180A	180A	180A	180A	180A	180A
Fuel Consumption (L/100km)							
Urban* / Extra-urban* / Combined*		TBC	TBC	TBC	TBC	TBC	TBC
Vehicle Weights and Dimensions*							
Unladen weight (kg)*		1,924	1,960	1,976	1,933	1,969	1,985
Payload (kg)* - Manual		3,076	3,040	3,024	3,076	3,031	3,015
Payload (kg)* - Auto		TBC	TBC	TBC	TBC	TBC	TBC
Gross Vehicle Mass (kg)*		5,000	5,000	5,000	5,000	5,000	5,000
Axle load limit – front / rear (kg)* - Crafter 50 – Twin Tire		2,200/3500	2,200/3500	2,200/3500	2,200/3500	2,200/3500	2,200/3500
Axle load limit – front / rear (kg)* - Crafter 55 – Twin Tire		2,200/4,000	2,200/4,000	2,200/4,000	2,200/4,000	2,200/4,000	2,200/4,000
Axle load limit – front / rear (kg)* - Crafter 50 – Super Single Tire		TBC	TBC	TBC	TBC	TBC	TBC
Gross Train Mass (kg) 12% gradient		7,000	7,000	7,000	8,000	8,000	8,000
Trailer weight braked 12% gradient / unbraked - Crafter 50 & 55		3,500 / 750	3,500 / 750	3,500 / 750	3,500 / 750	3,500 / 750	3,500 / 750
Downball load in kg*		140	140	140	140	140	140

*Figures will change depending on model derivative and equipment fitted. Further changes regarding technical data and dimensions may apply due to current product development process. All figures are based on standard model based on Single Cab, manual transmission and rear wheel drive. Please refer to brochure for further details. Specifications are subject to change without notice. Retail price includes 15% GST and does not include on-road costs. Fuel consumption tested in accordance with EC directive 80/1268/EC. Consumption measured on European specification cars. Please refer to brochure for further information. Issued 19 December 2017.

Key: • (Standard) NCO (No Cost Option) - (Not available)

Model – Single Cab

Code

Crafter 50
90kw
MWB

Crafter 50
90kw
LWB

Crafter 50
90kw
ELWB

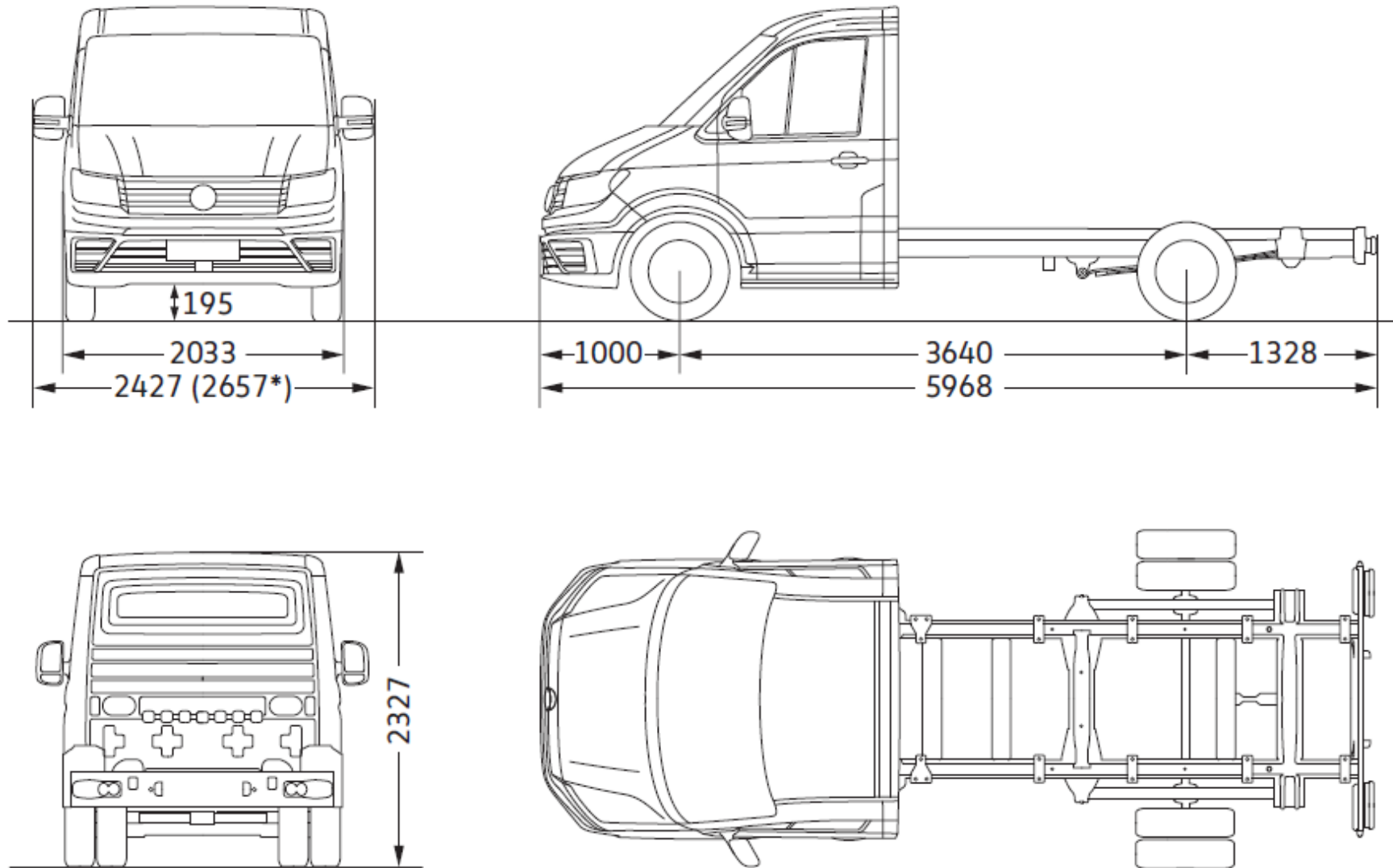
Crafter 50
130kw
MWB

Crafter 50
130kw
LWB

Crafter 50
130kw
ELWB

Crafter 50 Single Cab MWB

(*with brace exterior mirror)



*Figures will change depending on model derivative and equipment fitted. Further changes regarding technical data and dimensions may apply due to current product development process. All figures are based on standard model based on manual transmission and rear wheel drive. Please refer to brochure for further details. Specifications are subject to change without notice. Retail price includes 15% GST and does not include on-road costs. Fuel consumption tested in accordance with EC directive 80/1268/EC. Consumption measured on European specification cars. Please refer to brochure for further information. Issued 19 December 2017.

Key: • (Standard) NCO (No Cost Option) - (Not available)

Model – Single Cab	Code	Crafter 50 90kw MWB	Crafter 50 90kw LWB	Crafter 50 90kw ELWB	Crafter 50 130kw MWB	Crafter 50 130kw LWB	Crafter 50 130kw ELWB
Safety and Security							
Driver and front passenger airbag with front passenger airbag de-activation	4UF	•	•	•	•	•	•
Hill Start Assist	UG1	•	•	•	•	•	•
Driver Assistance Package:							
• Forward Collision Warning with Autonomous Emergency Braking	ZF2	•	•	•	•	•	•
• Lane Keeping System Lane Assist							
• Adaptive Cruise Control ACC up to 160km/h incl. speed limiter							
Anti-theft alarm system with backup horn, interior monitoring and towing protection	7AQ	\$900	\$900	\$900	\$900	\$900	\$900
Electronic Stability Control (ESP) and anti-lock brake system (ABS)	1AS	•	•	•	•	•	•
Central locking system with safe securing and radio remote control	4I2	•	•	•	•	•	•
Warning buzzer and light for driver seat belt not fastened	9P1	•	•	•	•	•	•
2 remote control folding keys	8QJ	•	•	•	•	•	•
Tire Pressure Monitoring System	7K3	\$650	\$650	\$650	\$650	\$650	\$650
Height and reach adjustable steering column	2ZA	•	•	•	•	•	•
Multi-function steering wheel including multi-function display "Plus". Instrument cluster with display of speed, total/trip mileage, rpm, fuel gauge, and time	2ZA & 9S5 & USA	•	•	•	•	•	•
Interior Features							
Rubber floor covering in cab	5AC	•	•	•	•	•	•
Side window in passenger/load compartment, front left and right, fixed (Double Cab)	QL7	•	•	•	•	•	•
Rear window and dimming breakaway interior rear-view mirror	ZHF	•	•	•	•	•	•
Two 12V outlets in the cab (in the dashboard) and 2 beverage holders	EU1+ 9JA	•	•	•	•	•	•
Air-conditioning (Climatic) system for front cabin with semi-automatic control and outside temperature display	ZK1	•	•	•	•	•	•
Preparation for rear-view camera system (camera has to be fitted in New Zealand)	KA8	•	•	•	•	•	•
Overhead storage compartment with two 1-DIN slots and reading light	QE4	TBC	TBC	TBC	TBC	TBC	TBC
Wheels and Suspension							
6x Steel wheels 5.5J x 16 in silver (dual tires in rear)	F85	•	•	•	•	•	•
Spare wheel (steel wheel) with original equipment tire, tool kit, and jack	ZR8	•	•	•	•	•	•
Tires 205/75 R16 C113/111	Q69	•	•	•	•	•	•
Disk brakes in front - 16-inch Crafter 50, 17-inch on Crafter 55	1LA	•	•	•	•	•	•
Standard suspension system and shock absorption. McPherson suspension in front and 3-layer leaf springs in rear for twin tires.	1BA	•	•	•	•	•	•
Heavy-duty suspension system and shock absorption, heavy-duty stabilisers	2MT	\$700	\$700	\$700	\$700	\$700	\$700
Exterior Features							
Paint – Solid colours		•	•	•	•	•	•
Paint – Metallic / Pearl Effect		\$2,400	\$2,400	\$2,400	\$2,400	\$2,400	\$2,400
Grey Bumper in front with painted trim panel in body colour & radiator grille unpainted with chrome moulding	2JF + 6KA	•	•	•	•	•	•

*Figures will change depending on model derivative and equipment fitted. Further changes regarding technical data and dimensions may apply due to current product development process. All figures are based on standard model based on manual transmission and rear wheel drive. Please refer to brochure for further details. Specifications are subject to change without notice. Retail price includes 15% GST and does not include on-road costs. Fuel consumption tested in accordance with EC directive 80/1268/EC. Consumption measured on European specification cars. Please refer to brochure for further information. Issued 19 December 2017.

Key: • (Standard) NCO (No Cost Option) - (Not available)

Model – Single Cab	Code	Crafter 50 90kw MWB	Crafter 50 90kw LWB	Crafter 50 90kw ELWB	Crafter 50 130kw MWB	Crafter 50 130kw LWB	Crafter 50 130kw ELWB
Trailer hitch preparation (incl. trailer stabilisation) with wiring harness, outlet, and electronic control unit	1D7	•	•	•	•	•	•
Windshield wiper intermittent control with light and rain sensor and separate daytime running lights with automatic headlamp activations	ZA3	•	•	•	•	•	•
Halogen twin lamps	8ID	•	•	•	•	•	•
LED headlamps with separate LED daytime running lights (Image 1)	8IT	\$2,000	\$2,000	\$2,000	\$2,000	\$2,000	\$2,000
Front Fog Lamps with cornering lights	8WH	\$500	\$500	\$500	\$500	\$500	\$500
Heat-insulating windshield made of laminated glass	4GF	•	•	•	•	•	•
Heat-insulating windshield made of laminated glass, heated	4GX	\$500	\$500	\$500	\$500	\$500	\$500
Exterior mirrors, power-adjustable and heated	6XN	•	•	•	•	•	•
Exterior mirrors w/ brace (registration possib. as of bodywork width of 2 160mm) - forces manual adjustable non-heated mirrors	ZB2	\$150	\$150	\$150	\$150	\$150	\$150
Acoustic warning when reverse gear is engaged, de-activatable	IL2	\$500	\$500	\$500	\$500	\$500	\$500

1 – LED headlamps with separate LED daytime running lights



2 - Comfort Seat Plus



Seats and Upholstery

Comfort seat "Plus" for driver (Image 2) (Backrest adjustment, Longitudinal adjustment, 4-track electrical lumbar support, 2x armrests, seat cushion for adjustment, height adjustment)	3SF & 3TH	•	•	•	•	•	•
Comfort seat "Plus" for passenger (Image 2)	3TF	NCO	NCO	NCO	NCO	NCO	NCO
2-seater front passenger bench seat with storage compartment	3TS	•	•	•	•	•	•
Swivel seat – driver. Forces a fold-down hand brake. N/A with bench seat	3SD	\$300	\$300	\$300	\$300	\$300	\$300
Swivel seat – passenger	3TD	\$150	\$150	\$150	\$150	\$150	\$150
Seat trim covers in fabric "Austin"	DM - NOL	•	•	•	•	•	•
Seat heater for driver and passenger seat, separately controllable	4A3	\$500	\$500	\$500	\$500	\$500	\$500
Only for Double Cab: 7 Seater with 4-seater bench seat in 2 nd row of seats	3UN	•	•	•	•	•	•

*Figures will change depending on model derivative and equipment fitted. Further changes regarding technical data and dimensions may apply due to current product development process. All figures are based on standard model based on manual transmission and rear wheel drive. Please refer to brochure for further details. Specifications are subject to change without notice. Retail price includes 15% GST and does not include on-road costs. Fuel consumption tested in accordance with EC directive 80/1268/EC. Consumption measured on European specification cars. Please refer to brochure for further information. Issued 19 December 2017.

Key: • (Standard) NCO (No Cost Option) - (Not available)

Model – Single Cab	Code	Crafter 50 90kw MWB	Crafter 50 90kw LWB	Crafter 50 90kw ELWB	Crafter 50 130kw MWB	Crafter 50 130kw LWB	Crafter 50 130kw ELWB
Multimedia							
Radio "Composition Media" with 8-inch touch screen, 4 speakers and 2 woofers, mobile phone interface, USB interface (capable for iPod/iPhone/iPad), AUX-IN jack, and electric interface, Illuminated glove compartment with lockable lid, Multi-function display "Plus" & App Connect (Image 5)	Z34, 9ZX 8RE	•	•	•	•	•	•
Navigation system "Discover Media" with 8-inch touch screen, 4 speakers and 2 woofers, mobile phone interface with WLAN, USB interface (capable for iPod/iPhone/iPad), AUX-IN jack, and electric interface, Illuminated glove compartment with lockable lid, Multi-function display "Plus" & App Connect (Image 4)	Z44, 9ZX, 77T, 8RE	\$1,000	\$1,000	\$1,000	\$1,000	\$1,000	\$1,000

3 – Interior new Crafter (showing overhead storage compartment and 2 seater passenger bench)



4 – Navigation System "Discover Media"



5 – Radio "Composition Media"



*Figures will change depending on model derivative and equipment fitted. Further changes regarding technical data and dimensions may apply due to current product development process. All figures are based on standard model based on manual transmission and rear wheel drive. Please refer to brochure for further details. Specifications are subject to change without notice. Retail price includes 15% GST and does not include on-road costs. Fuel consumption tested in accordance with EC directive 80/1268/EC. Consumption measured on European specification cars. Please refer to brochure for further information. Issued 19 December 2017.

Key: • (Standard) NCO (No Cost Option) - (Not available)

Model – Single Cab	Code	Crafter 50 90kw MWB	Crafter 50 90kw LWB	Crafter 50 90kw ELWB	Crafter 50 130kw MWB	Crafter 50 130kw LWB	Crafter 50 130kw ELWB
Warranty and Servicing							
3 year / 250,000 km mechanical warranty		•	•	•	•	•	•
12 year anti-corrosion warranty		•	•	•	•	•	•
3 year Volkswagen Roadside Assistance		•	•	•	•	•	•
Up to 50,000 km (or flexible up to 2 years) oil service intervals		•	•	•	•	•	•

*Figures will change depending on model derivative and equipment fitted. Further changes regarding technical data and dimensions may apply due to current product development process. All figures are based on standard model based on manual transmission and rear wheel drive. Please refer to brochure for further details. Specifications are subject to change without notice. Retail price includes 15% GST and does not include on-road costs. Fuel consumption tested in accordance with EC directive 80/1268/EC. Consumption measured on European specification cars. Please refer to brochure for further information. Issued 19 December 2017.

Key: • (Standard) NCO (No Cost Option) - (Not available)